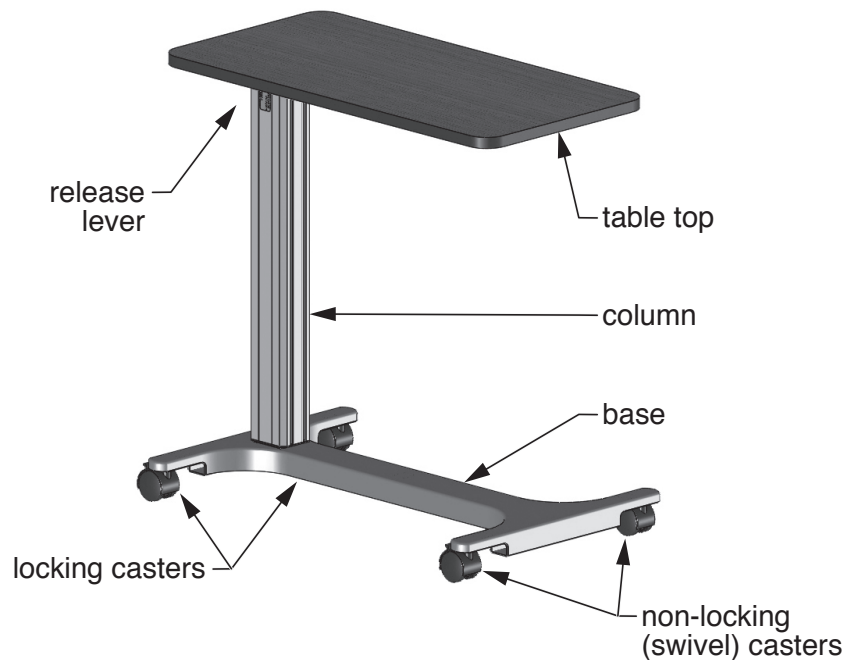


SAFETY GUIDELINES — READ BEFORE USE

- ⚠ **WARNING: Important: Read and understand these instructions before installing or using the Overbed Table. If you do not understand any part of these instructions, contact a healthcare professional for direction in the use of this product. If the overbed table is not properly assembled and adjusted, personal injury and/or damage to the overbed table could result.**
- ⚠ **WARNING: If components are damaged or missing, contact your GF Health Products, Inc. authorized distributor immediately. DO NOT use substitute parts. Non-Intensa replacement parts could cause personal injury and damage to the Overbed Table.**
- ⚠ **WARNING: GF Health Products, Inc. assumes no responsibility for any damage or injury caused by improper assembly or service of this product.**

UNPACKING

1. Open the box and inspect for any damaged or missing components. If damage is evident, DO NOT USE. Contact carrier / distributor for further instruction.
2. During assembly, refer to pictures that follow to identify components.



A919xxx Overbed Table

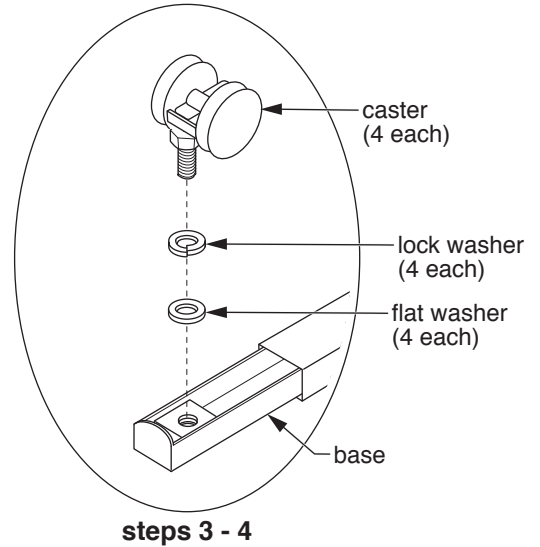
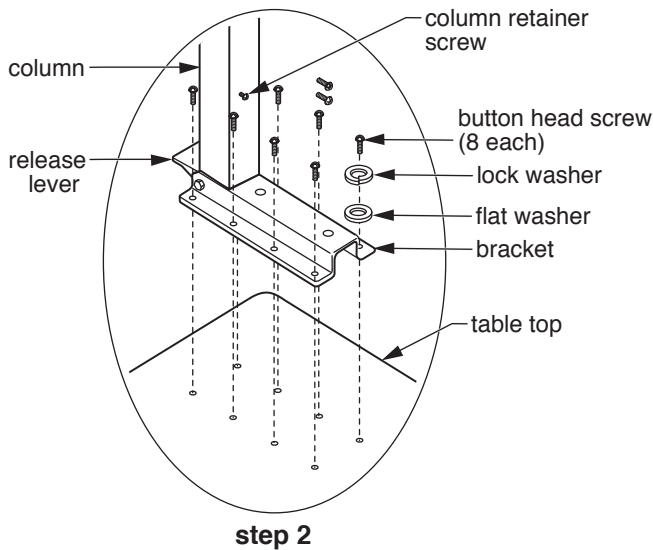
ASSEMBLY INSTRUCTIONS

Tools required: $\frac{5}{64}$ hex wrench, $\frac{9}{16}$ or M17 open-end wrench, $\frac{3}{16}$ or M5 hex key

Assembly (see pictures below)

⚠ WARNING: The table is shipped with a column retainer screw, shown below in *step 2*, to prevent the column from changing height. DO NOT remove the column retainer screw fully from the column until step 8 below is complete; the table top could rise suddenly and cause serious personal injury.

1. Place table top upside down on level surface.



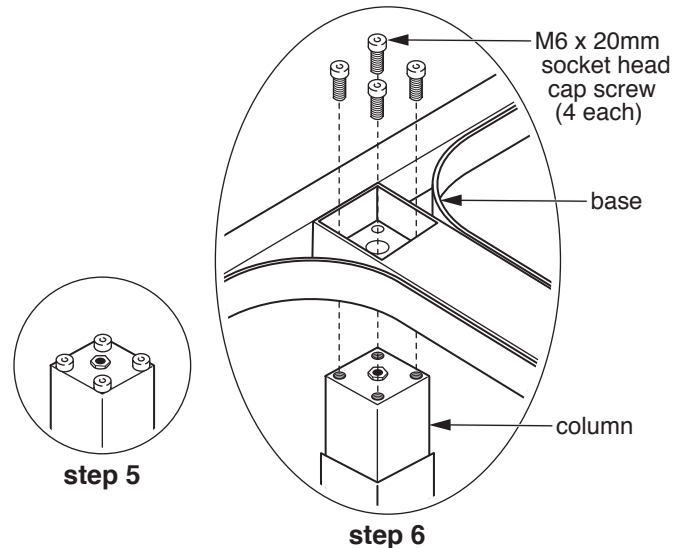
2. Attach column to table top as shown at above left in *step 2* using eight #6 x $\frac{3}{4}$ " screws; use $\frac{5}{64}$ hex wrench to hand tighten.
3. Assemble casters with supplied hardware: install lock washer, then flat washer, on each caster as shown at above right in *steps 3-4*.
4. Screw each caster, assembled with washers as described in step 3, and shown at above right in *steps 3-4*, into base. Use $\frac{9}{16}$ or M17 open-end wrench to tighten.

⚠ WARNING: Removing retaining screw will cause column to rise.

5. Remove retaining screw with #2 Phillips-head screwdriver. Once the retaining screw is out and column has risen, place the retaining screw in the second (upper) position.

Use $\frac{3}{16}$ or M5 hex key to remove the four M6 x 20mm socket head cap screws mounted on bottom of column shown at right in *step 5*.

6. Mount base to column using four M6 x 20mm socket head cap screws removed in step 5, as shown at right in *step 6*; use $\frac{3}{16}$ or M5 hex key to tighten.
7. Turn entire assembly over, upright, with casters on the floor.
8. Use $\frac{5}{64}$ hex wrench to remove the column retainer screw fully, shown above in *step 2*; table height will now be adjustable.



⚠ **WARNING:** Ensure the table is assembled as described, and that all components are securely attached before use.

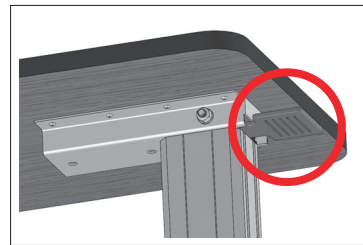
OPERATION INSTRUCTIONS

⚠ **WARNING:** Do not lean on the suspended end of the table top; this may cause the table to tip.

⚠ **WARNING:** The table supports up to 100 lb (45 kg) of dispersed weight, **EVENLY DISTRIBUTED**. Do not exceed this limit.

To raise the table top

To raise the table top, apply light pressure upward at any point on bottom of table top and stop when the table top has reached the desired height.



lower the table top

To lower the table top

To lower the table top, squeeze the release lever, circled in red at right, upward while pushing the table top down at the column until the table top has reached the desired height. DO NOT put pressure on the table top end opposite the column. The column will lock when the lever is released.



lock and unlock casters

To lock and unlock casters

The two column-end casters have step-on locks, circled in red at right. Step on the locks to lock the casters; pull the locks up to unlock the casters.

MAINTENANCE

Check the fit and tightness frequently of all hardware to ensure that the table is securely assembled.

Cleaning

1. To clean: Gently wipe the table with a soft, clean, damp cloth.

▲ **NOTICE:** Do not use cleansers that may damage the table's finish.

2. To wash more thoroughly: Clean with mild soap and water.

3. Dry table with a clean, soft cloth.

LIMITED WARRANTY

SCOPE OF WARRANTY

GF Health Products, Inc. ("GF") warrants to the original purchaser only that it will replace or repair components, at GF's sole discretion, that are defective in material or workmanship under normal use and service. All warranties are conditioned upon the proper use of the products strictly in accordance with good commercial practice and applicable GF instructions and manuals, including proper use and maintenance. To the extent that a third party warrants a component, GF conveys all of its rights under that warranty to the original purchaser, to the extent permitted.

This limited warranty shall only apply to defects that are reported in accordance with the provisions set forth in this warranty document, within the applicable warranty period and which, upon examination by GF or its authorized representative, prove to be a warranty item. (See Obtaining Warranty Service below) This limited warranty is not transferable.

The warranted components and time periods are set forth below:

Column / Base Assembly:.....1 (one) year

Caster Bag Assembly90 days

Table Top:.....5 (five) years

* Labor is not included in the warranty.

‡ The warranty period is as designated above. If a part is replaced under warranty, the original warranty period will not be affected. All other replacement parts will be subject to the warranty period specified.

The applicable warranty period shall commence from date of shipment to the Original Purchaser, unless there is an expiration date on the component in which case the warranty shall expire on the earlier of warranty period or the expiration date.

OBTAINING WARRANTY SERVICE

Customers located in the United States who wish to report a warranty issue, must contact GF directly by calling 1.770.368.4700 or by e-mailing a request to cs@grahamfield.com. Customers located outside the United States must contact the Distributor from whom they purchased the products. In both cases, further directions will be provided once the initial contact is made. This limited warranty shall only apply to defects that are reported within the applicable warranty period. Failure to abide by the specific directions will result in denial of the warranty claim.

The warranty does not cover and GF shall not be liable for the following:

- 1) Defects, damage, or other conditions caused, in whole or in part, by misuse, abuse, negligence, alteration, accident, freight damage, tampering or failure to seek and obtain repair or replacement in a timely manner;
- 2) Products which are not installed, used, or properly cleaned and maintained as required in the official manual for the applicable product;
- 3) Products considered to be of a non-durable nature including, but not limited to: filters, fuses, gaskets, lubricants, and charts;
- 4) Accessories or parts not provided by GF;
- 5) Matching of color, grain or texture except to commercially acceptable standards;
- 6) Changes in color caused by natural or artificial light;
- 7) Charges by anyone for adjustments, repairs, replacement parts, installation or other work performed upon or in connection with such products which are not expressly authorized in writing, in advance, by GF;
- 8) Any labor or shipping charges incurred in the replacement part installation or repair;
- 9) Costs and expenses of regular maintenance and cleaning; and
- 10) Representations and warranties made by any person or entity other than GF.

ENTIRE WARRANTY, EXCLUSIVE REMEDY AND CONSEQUENTIAL DAMAGES DISCLAIMER

THIS WARRANTY IS GF'S ONLY WARRANTY AND IS IN LIEU OF ALL OTHER WARRANTIES, EXPRESS OR IMPLIED. GF MAKES NO IMPLIED WARRANTIES OF ANY KIND INCLUDING ANY IMPLIED WARRANTIES OF MERCHANTABILITY OR FITNESS FOR A PARTICULAR PURPOSE. IF ANY MODEL OR SAMPLE WAS SHOWN TO THE CUSTOMER, SUCH MODEL OR SAMPLE WAS USED MERELY TO ILLUSTRATE THE GENERAL TYPE AND QUALITY OF THE PRODUCT AND NOT TO REPRESENT THAT THE PRODUCT WOULD NECESSARILY CONFORM TO THE MODEL OR SAMPLE IN ALL RESPECTS. THIS WARRANTY IS LIMITED TO THE REPAIR OR REPLACEMENT OF THE DEFECTIVE PARTS. GF SHALL NOT BE LIABLE FOR AND HEREBY DISCLAIMS ANY DIRECT, SPECIAL, INDIRECT, INCIDENTAL, EXEMPLARY OR CONSEQUENTIAL DAMAGES, INCLUDING, BUT NOT LIMITED TO: DAMAGES FOR LOSS OF PROFITS OR INCOME, LOSS OF USE, DOWNTIME, COVER, OR EMPLOYEE OR INDEPENDENT CONTRACTOR WAGES, PAYMENTS AND BENEFITS. CERTAIN STATES MAY CONFER ADDITIONAL RIGHTS REGARDING WARRANTIES AND IN THOSE STATES GF'S LIABILITY AND THE LIABILITY OF GF'S SUPPLIERS, SHALL BE LIMITED TO THE FULLEST EXTENT PERMITTED BY LAW.

The warranties contained herein, together with GF's current Terms and Conditions, contain all the representations and warranties with respect to the subject matter of this document, and supersede all prior negotiations, agreements and understandings with respect thereto. The recipient of this document hereby acknowledges and represents that it has not relied on any representation, assertion, guarantee, warranty, collateral contract or other assurance, except those set out in this document.

For additional information on this product or this warranty, please contact a GF Customer Service Representative.

NOTES:

- 1) Additional terms and conditions may apply. See GF's General Terms and Conditions on its website: www.grahamfield.com.
- 2) Freight claims must be notated on the appropriate shipping documents and must be made with immediacy. International, federal and state regulations govern specific requirements for freight claims. Failure to abide by those regulations may result in a denial of the freight claim. GF will assist you in filing the freight claim.
- 3) Claims for any short shipment must be made within three (3) days of the invoice date.



Manufactured By:
Intensa, Inc. | 180 1 S. Elm Street
High Point, NC 27260 | USA
Top made in the USA
Base made in Taiwan

Intensa, Inc. is a wholly owned subsidiary of GF Health Products, Inc.
© 2023, GF Health Products, Inc. All Rights Reserved.
Intensa is a registered trademark of GF Health Products, Inc.
IN_A91901-INS-LAB-RevA23



+1 770.368.4700

Information contained herein is subject to change without notice.
The most current and complete product information can be found on our website.
www.intensa.net | www.grahamfield.com

